

Setting up the unit

DAV700/750 SPca

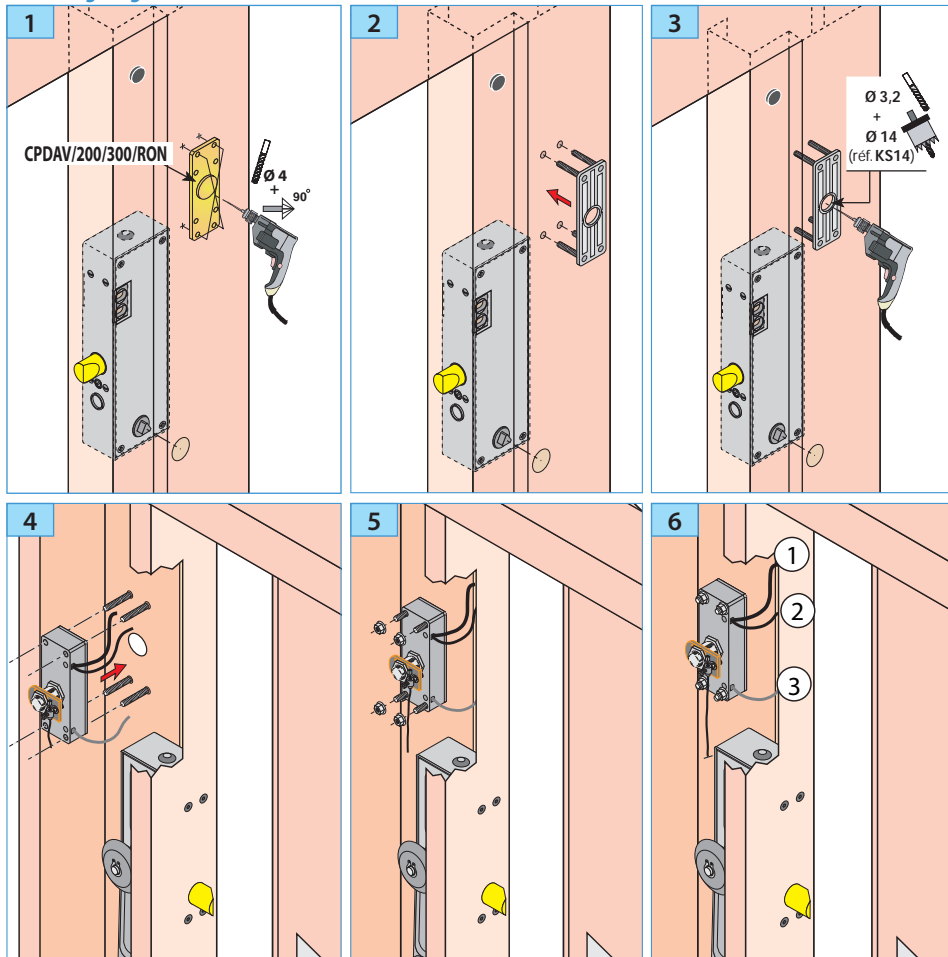
DAV800/850 SPca

DEX SPca

Tri SPca

MDV21 SPca

Mounting stages



DAV - DEX

WIRING (DAV) :

- ② : 3 wires (inverse contact) : black (common) ; gray (NO) ; blue (NC).
- ③ : 2 wires : supply 24 V dc.

MDV21

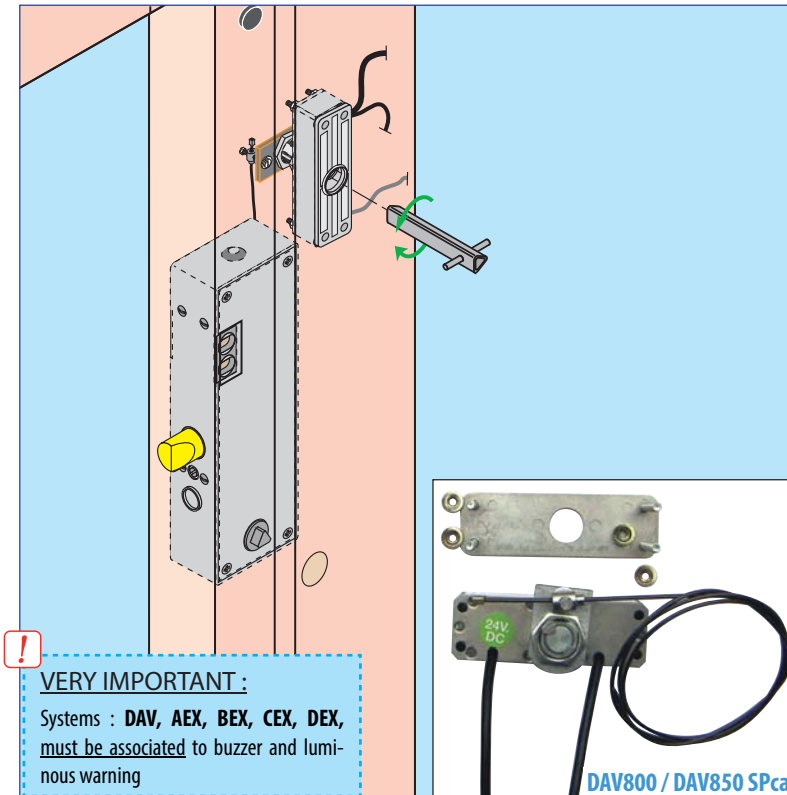
WIRING (MDV21) :

- ① : monostable security contact
- ② : Microswitch
- ③ : Option EN81-71.



Works with a bistable rearming Controller ARM/MDV21.

- Electromechanical anti vandal unlocking.
- Double door-opening detector Conformity with EN81.21, EN81.21 + EN81.71



Supplies :

Set DAV SPca + screws or DEX SPca + screws or Tri SPca + screws or MDV21 SPca + screws.

Optional :

CP DAV200/300/RON

PLEASE, BEFORE INSTALLATION, READ IT CAREFULLY.

prudhomme S.a

Matériel spécifique pour ascenseurs - specific parts and components for elevators

prudhomme S.a

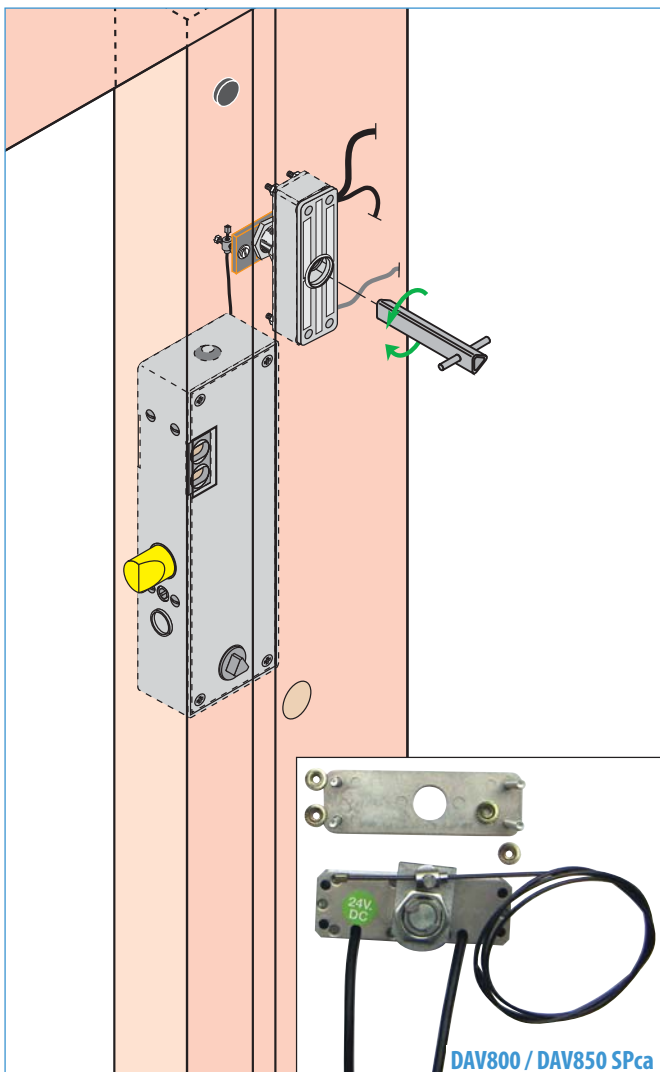
38, Rue Charles de Gaulle F
94140 Paris/Alfortville
www.prudhomme.com
Tél. : +33 01 45 18 19 20
Fax : +33 01 45 18 19 21

- Double door-opening detector Conformity with EN81.21, EN81.21 + EN81.71



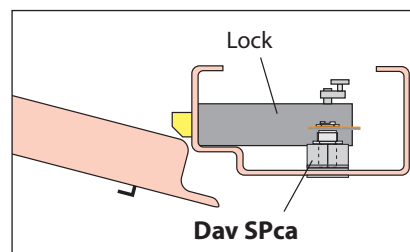
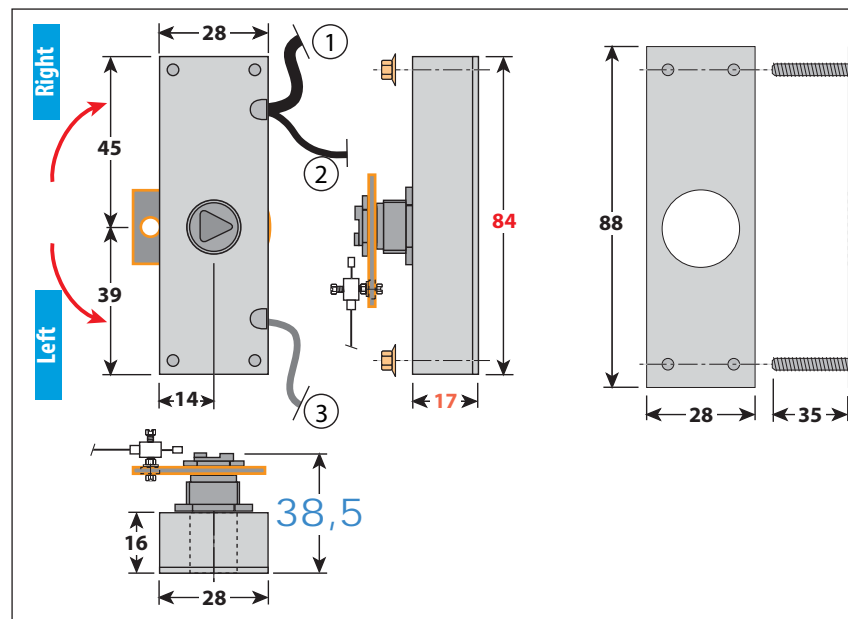
VERY IMPORTANT :

Systems : **DAV, AEX, BEX, CEX, DEX**, must be associated to buzzer and luminous warning.



DAV800 / DAV850 SPca

New installation and Renovation



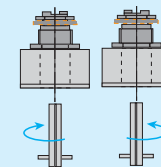
Dav SPca

4A 220 V ≈



IMPORTANT :

Specify the unlocking sens (left or right).



DAV700 SPca/G
DAV750 SPca/G
DAV800 SPca/G
DAV850 SPca/G
DEX SPca/G
MDV21 SPca/G

DAV700 SPca/D
DAV750 SPca/D
DAV800 SPca/D
DAV850 SPca/D
DEX SPca/D
MDV21 SPca/D

DAV - DEX

- **DAV700 SPca** (24 V dc - 100 mA) : Locking only, **Switched on** : device blocking.

- **DAV750 SPca** (24 V dc - 100 mA) : Locking only, **Switched off** : device blocking.

- **DAV800 SPca** (24 V dc - 100 mA) : Switched on, mechanical sticking accessible to the triangle (impossible to use the unlocking key of the lock).

- **DAV850 SPca** (24 V dc - 100 mA) : Switched off, mechanical sticking accessible to the triangle (impossible to use the unlocking key of the lock).

- **DEX SPca** (microswitch) : inverse contact for buzzer.

WIRING (DAV) :

② : **3 wires** (inverse contact) :

black (common), **gray** (no) **blue** (NC)

③ : **2 wires** : feeding 24 V dc

MDV21

WIRING (MDV21) :

① : monostable security contact

② : Microswitch

③ : Option EN81-71.



Works with a bistable rearming Controller ARM/MDV21.